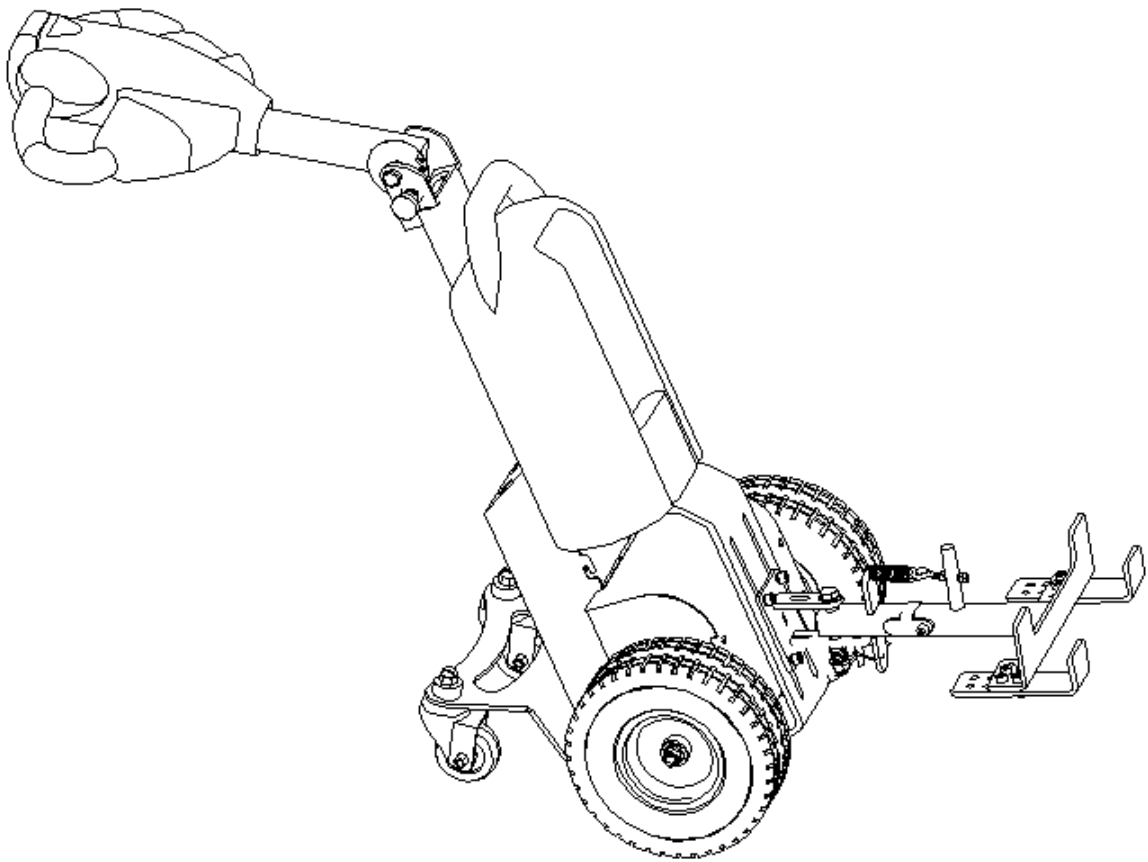


Instruction Manual

Smart Tow Tractor



SM 1000

Note: Owner/Operator must read and understand this instruction manual before using the smart tow tractor.

Thank you for using this smart tow tractor, for your safety and correct operation, Please read these instructions carefully before using it .

Keep this manual on file for future reference . If this is lost, please contact your local supplier for a new copy.

Note: All of the information reported herein is based on data available at the moment of printing. The factory reserves the right to modify its own products at any moment without notice and incurring any sanction. So it is suggested to always verify possible updates.

1. OPERATING ENVIRONMENT AND WARNING

The smart tow tractor should be used in any dry space, on even and level floors or ground , The temperature range in which the smart tow tractor can continuously operate is +5 °C~ +30 °C

- Operator appropriately trained, familiar with operating ,maintenance and safety instructions
- Operator must know and master the drive and operational properties of the smart tow tractor
- Do not exceed the rated capacity
- Do not modify the smart tow tractor without the manufacturer's permission
- Do not add or remove ,weld or bend any parts
- Do not turn the smart tow tractor abruptly on a ramp
- Never use the smart tow tractor to transport people
- In case of a malfunction, push the safety emergency switch(No.2,fig.2) on the speed regulator (No.4, fig.2)

2. GERNERAL SPECIFICATION

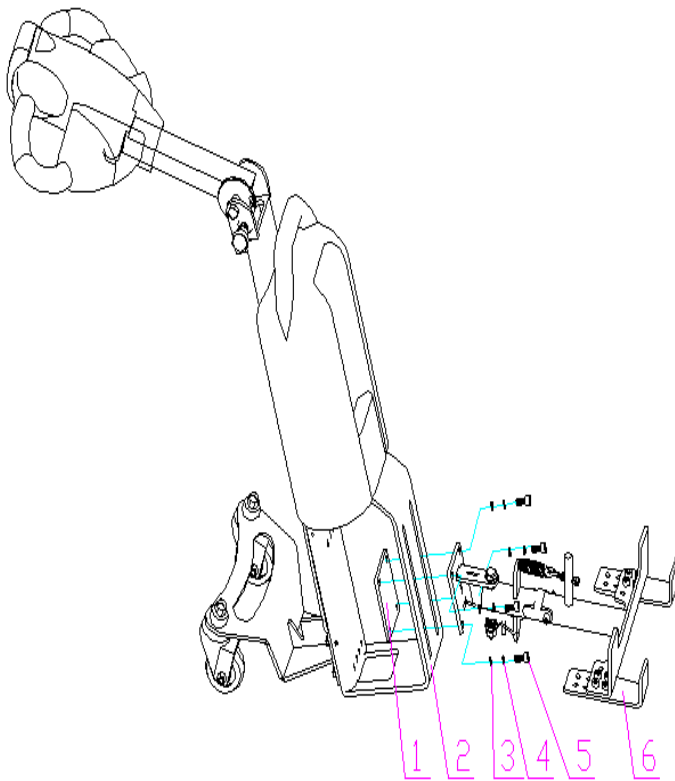
Model	Driver	Pull power	Battery	Controller	Charger
SM1000	DC motor 24v,300W	1000kg	2*12V/18Ah	70A	24V/3A

3. ATTACH HOOK TO MAINFRAME

3.1) Loosen and remove the setting Washer 8, Spring washer 8 and screw M8*25 (No.3, No.4, No.5, fig.1)

3.2) Put the joint plate under the mainframe and hook above the mainframe

3.3) Insert the washer 8, spring washer 8 and screw M8*25 , Adjust hook height to appropriate position for moving object, then tighten them securely.

**Fig 1**

No.	Descreption	Quantity
1.	Joint plate	1
2.	Mainframe	1
3.	Washer 8	4
4.	Spring washer 8	4
5.	Screw M8X25	4
6	Hook unit	1

4. DRIVING SMART TOW TRACTOR

1) Speed regulator (No.4 , fig 2)

Speed and acceleration are freely programmable.

To operate the smart tow tractor moving forward or back ward ,turn the butterfly speed knob clockwise or counter clockwise gently and smoothly .

When the smart tow tractor close to the object, If you don't want turn the butterfly speed knob by power operation, you can release the butterfly speed knob,and move the smart tow tractor a short distance, then press down any botton or tow buttons (No.5,fig2) ,push or drag the machine by manual operation. so that moving the machine is easy.

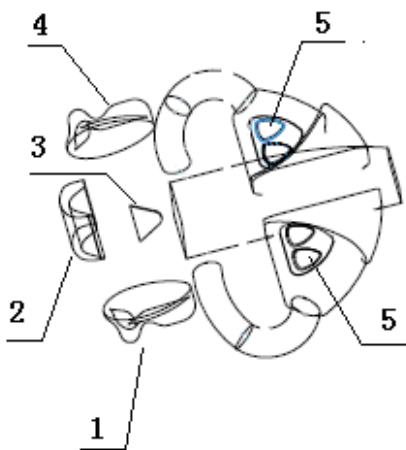


Fig 2

No.	Description	Quantity
1.	Right speed knob	1
2.	Safety emergency switch	1
3.	Speed regulator	1
4.	Left speed knob	1
5.	Button	2

2) Safety emergency switch (No.2 , fig 2)

The safety emergency switch prevents you from getting squeezed between the smart tow tractor and the obstacle . When you push it ,the smart tow tractor will stop.

3) Horn

4) Coulometer

The coulometer display the battery charging level and counts the active time for function . It always functions when some of the electric devices are on.

5) Handle unit (No.1 and No.2,fig 4)

Pull locating stud (No. 4) out locating plate (No. 2) , and turn handle unit to appropriate position ,then insert locating stud into locating plate.

6) When the smart tow tractor close to the object, If you don't want turn the butterfly speed knob by power operation, you can release the butterfly speed knob and more the smart tow tractor a short distance then press down any button or tow buttons (No.5,fig2) so that push or drag the machine easy by manual operation.

5. GENERAL DRIVING INSTRUCTIONS

1) Before starting to operate, make sure that the daily maintenance has been carried out.

2) Turn the speed controller gently and smoothly;

3) To slow down, release the butterfly speed knob

6. BATTERY (No.1) AND CHARGER STAND (No.5)

The battery voltage is low, it must be recharged . Take battery out mainframe, put it on the charger stand , and the plug of charger is be inseted power socket and charge batteries .

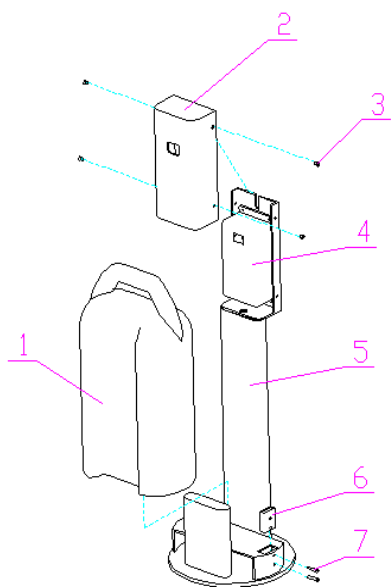


Fig 3

No.	Description	Quantity
1.	Battery	1
2.	Cover	1
3.	Screw M5X10	4
4.	Charger	1
5.	Charger stand	1
6.	Socket	1
7.	Screw M4X25	2

- Do not smoke when working with battery
- Battery fluid is a corrosive and solution, avoid getting it on the skin or in the eyes
- Please charge the battery in time
- A low battery charge status may damage the battery during long-time use.

7. MAINTENANCE

It is recommended to sign a maintenance agreement with the smart tow tractor dealer, who can also supply spare parts. Contact our maintenance department or your smart tow tractor dealer for good and efficient maintenance service

Safety instructions for maintenance

- Keep the working area clean without oil ,grease, water etc
- Carry out the daily check maintenance before operating
- It is recommend to carry out semi-annual inspection service(500h)
- Additional maintenance work for service 1000 hour

8. EXPLODED FIGURE AND PATRS LIST

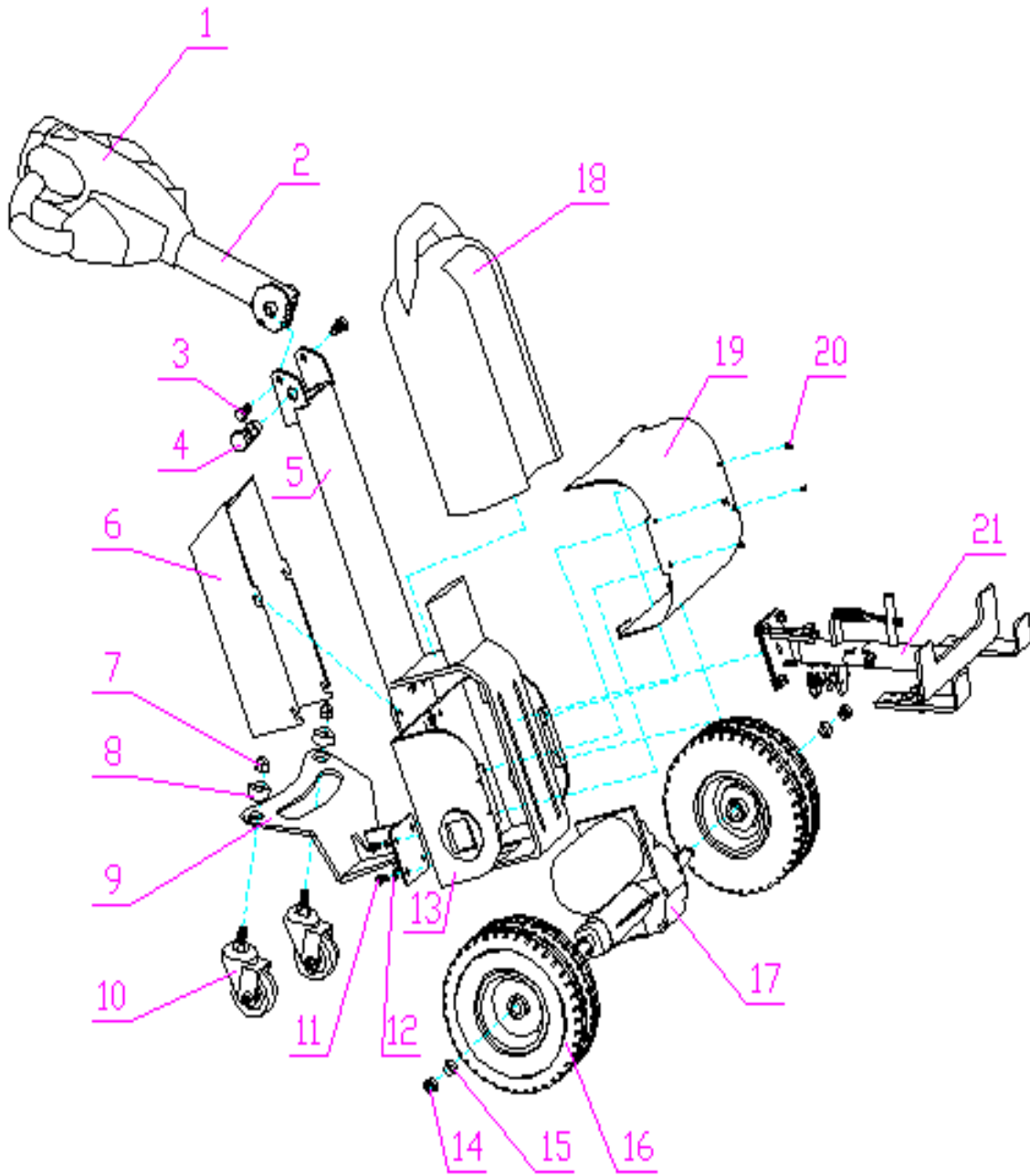


Fig 4

No.	Description	Quantity	No.	Description	Quantity
1.	Speed regulator	1	12.	Washer 8	8
2.	Speed regulator bar	1	13.	Lateral plate	2
3.	Bolt M10X25	4	14.	Nut M12	2
4.	Locating stud unit	1	15.	Spring washer 12	2
5.	Mainframe	1	16.	Rubber wheel	2
6.	Controller cover	1	17.	Driving unit	1
7.	Nut M12	2	18.	Battery	1
8.	Wash	2	19.	Cover	1
9.	Caster frame	1	20.	Screw M4X10	4
10.	Caster	2	21.	Hook unit	1
11.	Screw M8X25	4			